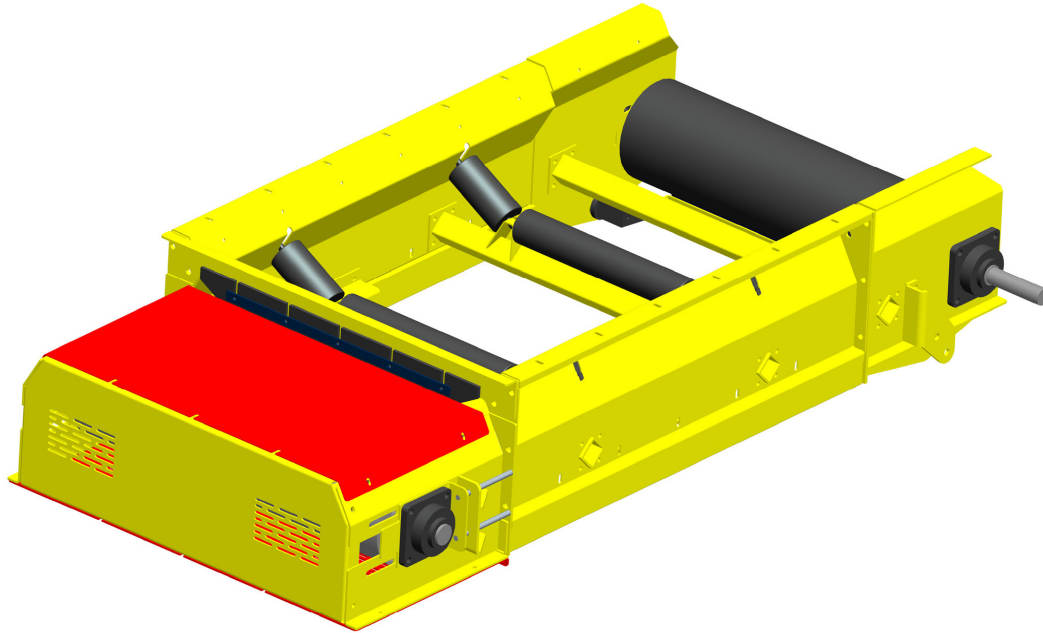


**CDI Model CPC Troughed Modular Conveyor system.**



**Technical Specifications**

**Belt Widths Available: 600mm, 750mm, 1000mm and 1200mm Plain or Chevron.**

**Output: Up to 300 TPH**

**Drive system: Electric or Hydraulic to suit final length.**

**Full length rubber skirting as standard.**

**Tensioned Polyurethane Drive drum scraper.**

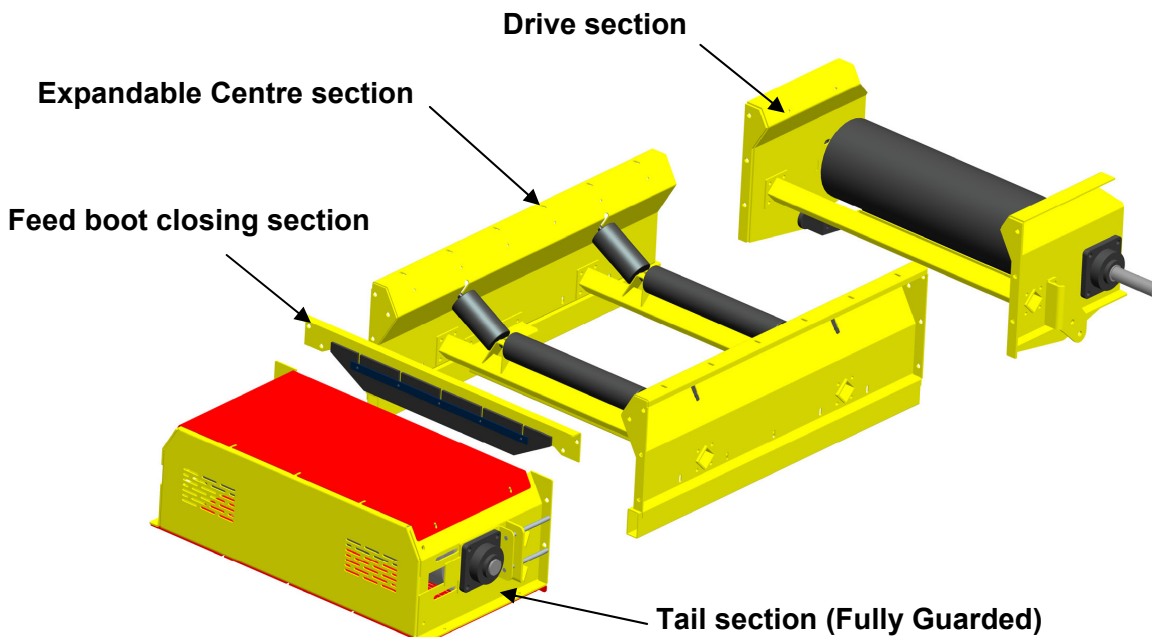
**Vee belt return scraper fitted as standard..**

**Rtn rollers with nip guards fitted.**

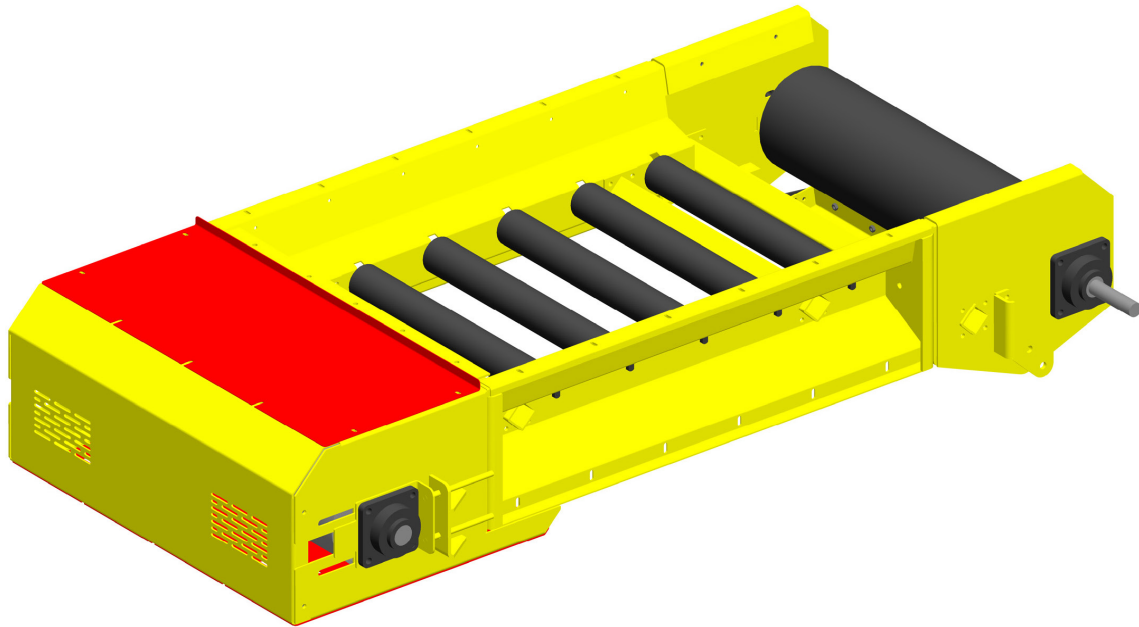
**System guarded to BS7300 as standard.**

**Variable Belt length: Expandable centre sections to obtain required length.**

**Centre sections available in 1.5m, 2.3m, 3m or 4 m Lengths.**



**CDI Model CPC Flat Belt Modular Conveyor system.**



**Technical Specifications**

**Belt Widths available: 1000mm, 1200mm and 1400mm Plain or Chevron.**

**Output: Up to 300 TPH**

**Drive system: Electric or Hydraulic to suit final length.**

**Tensioned Polyurethane Drive drum scraper.**

**Vee belt return scraper fitted as standard..**

**Rtn rollers with nip guards fitted.**

**System guarded to BS7300 as standard.**

**Variable Belt length: Expandable centre sections to obtain required length.  
Centre sections available in 1.5m, 2.5m, 3.25m or 4 m Lengths.**

